

## Gate Roller Conveyor GAT .

The pivoted section swings open using two handles mounted conveniently on either side of the side plates. Raising the pivoted conveyor is assisted by air springs thus minimizing the effort of opening the gate. Upon closure a toggle mechanism will guarantee the secure positioning of pivoted section .

## بوابات رولات GAT .

الجزء المفصلي من وصلة السير مدفوع بواسطة سوست هوائية لتسهيل عمليات الرفع. وعند الاغلاق تقوم الركبة المفصلية (توجل) بتأمين الوصلة في مكانها .

Factory :New Borg El Arab 2nd Zone  
entrance 2c street 3 - entrance 2c street 5  
Tel:+20-(03)-4624127 - 4624126 - 4624025  
fax : (03) 4624291

Info@UnitelEgypt.com

Cairo Office : Corniche El Nile, Maadi, Cairo  
Tel +20:(0)2-25266333  
Fax +20:(0)2-25264888

Sales@UnitelEgypt.com



www.UnitelEgypt.com



/UnitelEgypt

# GAT Gravity Roller Conveyor Gate

## Features

The GAT walkways are members of the gravity roller conveyor family, featuring the same solid sheet metal construction as RLG conveyors. They offer the convenience of interrupting a long conveyor line anywhere, to enable easy access to either side of the conveyor line.

## Characteristics

The air spring loaded conveyor section opens widely to enable people and materials to go through unobstructed

The pivoted section swings open using two handles mounted conveniently on either side of the side plates.

Raising the pivoted conveyor section is assisted by air springs thus minimizing the effort of opening the gate.

Upon closure a toggle mechanism will guarantee the secure positioning of pivoted section.

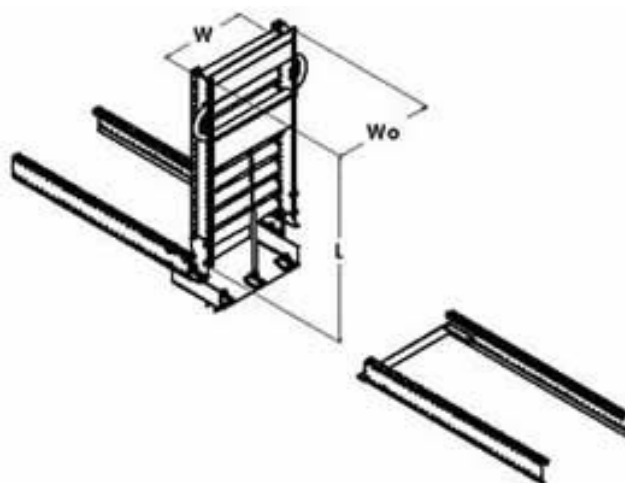
## Applications

GAT walkways are used whenever access to either side of long conveyor lines is required. They integrate seamlessly with all members of the RLG family of gravity roller conveyors.



# GAT Gravity Roller Conveyor Gate

## GAT Specifications



Loading Capacity	100 ~ 500 N/m
Roller Diameter	50 or 60 mm
Roller Pitch	60, 90, 120, 150 mm.
Linear Speed	50 m/min maximum
Paint	Electrostatic Epoxy Powder RAL 5017

### Dimensions

Standard Width (W) / Preferred Values

Outer Distance (Wo)

W	300	400	500	650	800
Wo	376	484	592	754	916

Standard Section Length / Preferred Values

Standard Gate Opening Length L	1000 mm
--------------------------------	---------

# GAT Gravity Roller Conveyor Gate



مكتب القاهرة : برج القاتوينين كورنيش المعادى  
تليفون : ٢/٢٥٢٦٦٣٣٣  
فاكس : ٢/٢٥٢٦٤٨٨٨

مدينة برج العرب الجديدة - المنطقة الصناعية الثانية  
يونيتل/ مدخل ٢ شارع ٣ - مدخل ٢ شارع ٥  
تليفون : ٣/٤٦٢٤٤٢٤-٤٦٢٤٠٢٥-٤٦٢٤١٢٦-٤٦٢٤١٢٧  
فاكس : ٣/٤٦٢٤٢٩١



[www.UnitelEgypt.com](http://www.UnitelEgypt.com)



/UnitelEgypt

[Sales@UnitelEgypt.com](mailto:Sales@UnitelEgypt.com)

[Info@UnitelEgypt.com](mailto:Info@UnitelEgypt.com)